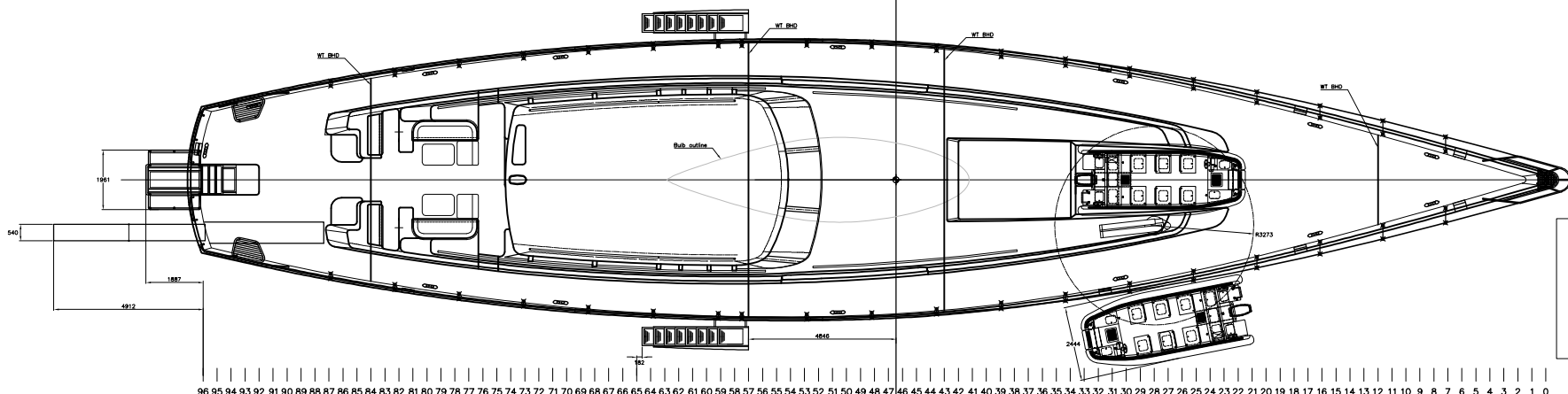
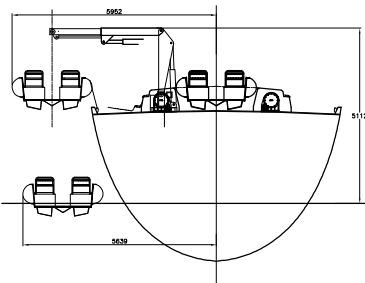
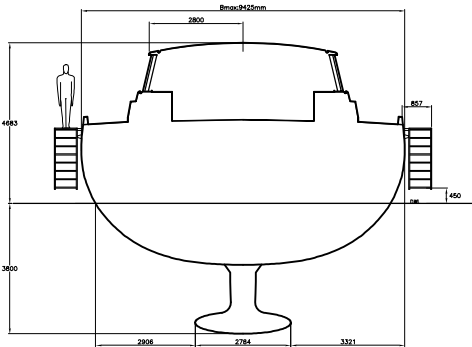


96 95 94 93 92 91 90 89 88 87 86 85 84 83 82 81 80 79 78 77 76 75 74 73 72 71 70 69 68 67 66 65 64 63 62 61 60 59 58 57 56 55 54 53 52 51 50 49 48 47 46 45 44 43 42 41 40 39 38 37 36 35 34 33 32 31 30 29 28 27 26 25 24 23 22 21 20 19 18 17 16 15 14 13 12 11 10 9 8 7 6 5 4 3 2 1 0



96 95 94 93 92 91 90 89 88 87 86 85 84 83 82 81 80 79 78 77 76 75 74 73 72 71 70 69 68 67 66 65 64 63 62 61 60 59 58 57 56 55 54 53 52 51 50 49 48 47 46 45 44 43 42 41 40 39 38 37 36 35 34 33 32 31 30 29 28 27 26 25 24 23 22 21 20 19 18 17 16 15 14 13 12 11 10 9 8 7 6 5 4 3 2 1 0

TANKAGE	
Grey fwd	410l
S Fuel inner	6768l
S Fuel outer	8609l
P Fuel inner	6768l
P Fuel outer	7232l
Sludge	460l
S Water fwd	1504l
S Water aft	2517l
P Water fwd	1504l
P Water aft	2517l
Black/Grey	4239l
Grey aft	765l

PRINCIPAL DIMENSIONS

LOA	44.750 m
LWL	34.500 m
BEAM OVERALL	9.425 m
CANOE BODY DEPTH	4.265 m
CANOE BODY DRAFT (at DWL)	1.825 m
DRAFT TO USK (at DWL)	3.800 m
DISPLACEMENT (Full Load)	260 tonnes
BALLAST	75 tonnes

DUBOIS NAVAL ARCHITECTURE & YACHT DESIGN

DUBOIS NAVAL ARCHITECTS LTD Back Farm, Sopley, Lymington, Hampshire, SO41 5SR, UK
 Tel: +44 (0) 1590 626666 Fax: +44 (0) 1590 626695 ISDN: +44 (0) 1590 626458 email: dubois_n@compuserve.com
 Title DOCKING PLAN Design no. 278
 Vessel 44.5m (146.0ft) CRUISING KETCH Sheet no. 10
 Scale 1/75 File 278A_OK1 Date 03/12/98

WORLD COPYRIGHT - REPRODUCTION OF ANY PART OF THIS DESIGN, WHETHER IN DRAWING, ELECTRONIC OR THREE-DIMENSIONAL FORM IS PROHIBITED WITHOUT THE EXPRESS PERMISSION OF DUBOIS NAVAL ARCHITECTS LTD., UK